

AO Severstal Management
Clara Zetkin st. 2
127299 Moscow
RUSSIAN FEDERATION
Mr. Stanislav Mikhailov

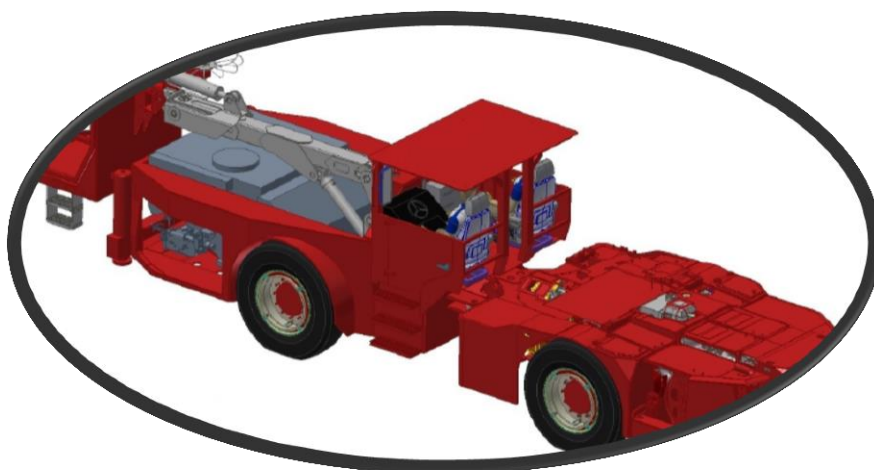
Pasian di Prato, 11/03/2019

Budgetary Offer 19011RU-B Rev_0

Underground Charging Vehicle Ch24



On behalf of **Bohlen Handel**



BOWAS AG
für Industrieplanung
Industriestraße 13b
6300 Zug
SWITZERLAND

+41/41/711 27 22
+41/41/711 08 17
e-mail: info@bowas.ch
www.bohlen.de

BOWAS-TEC GmbH
Sterneckstraße 55
5020 Salzburg
AUSTRIA

+43/662/87 76 71 73
+43/662/87 76 71 4
e-mail: office@bowastec.com
www.bohlen.de

1 Subject of the Offer

This offer encompasses the delivery of an Ch 24 Underground Charging Vehicle from our principal Bohlen Handel GmbH, Essen, Germany.

This offer includes the Ch 24 Emulsion-Type Mixing and Charging Unit equipped with the emulsion-type mixing and pumping module as well as five working days of start-up services and instructions at the workshop in Polkowice and assistance for dismantling for transport and reassembling at the underground mine of the end-user.

Travel and Transport cost are excluded

2 Technical Layout

The design and layout of the vehicle can be taken from technical Annex to this offer.

The matrix loading module is included in the offer. Volume of the module is 1.500 Kg -1.800 Kg. Loading throughput of the module is approx. 50-70 Kg / min

Vehicle can be offered in 2 basic variants based and a vehicle with electric connection and Diesel Engine.

TYPE A)

- Electric Connection 380V / diesel engine

TYPE B)

- Long-time Battery (Lithium) / diesel engine



3 Sales Conditions

3.1 Budgetary Price

Type	Order	Price per unit in EUR
Ch24 TYPE A	1 x	800.000,-
Ch 24 TYPE A	3x	740.000,-
Ch 24 TYPE B	1x	930.000,-
Ch 24 TYPE B	3x	890.000,-

These budgetary prices may vary, according to decision to be taken on the final layout and design by the customer, especially, but not limited to:

- Engine
- Torque Converter
- Transmition
- Axes and tires
- Electrical System
- Other options and equipment

3.2 Terms of payment:

By confirmed / Irrevocable Letter of Credit:

- 1.) 55% down payment by bank transfer when having placed your order within 7 days in accordance with our proforma Invoice.
- 2.) 35% of the total amount by bank transfer within 7 days after notification from the seller about completion of the assembly and factory test at the manufacturing site.
- 3.) 10% of the total amount upon commissioning, but not later than 30 days days after delivery of the unit.

3.3 Delivery Terms

Ex Works Polkowice/Poland in accordance with ICC INCOTERMS® 2010.

Travel cost to customer’s site are excluded.

All expenses on the customer’s side including possible tax will be borne by customer.

3.4 Time of Delivery

Time of delivery for the first unit approx. 12 months after receipt of binding order and receipt of down payment. Additional units will be subsequently delivered after approx. 2 months each. Exact delivery time will be set with the client, based on final layout and equipment of vehicle.



3.5 Validity

The offer is valid until 30.04.2019

3.6 Others

The following documents constitute an integral part of this quotation:

- Technical Specification/Description in English / Russian language

The binding language for all contract partners for commercial conversation is English.

Further technological support than mentioned in this quotation is not part of this quotation but can be quoted and charged separately.

Certification according to Russian regulation is not included.

Court of Jurisdiction is Germany.

We do hope this quotation will meet your requirements, and we are looking forward to receiving your comments. Please do not hesitate to contact us in case of further questions.

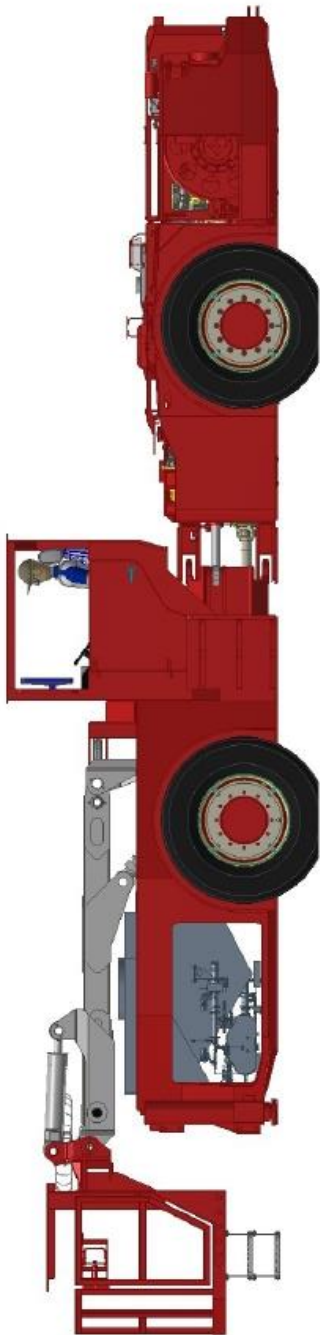
With best regards,

Bohlen Handel GmbH
Dr. Johann Kasperski
Head of Explosive Plants and
Technologies

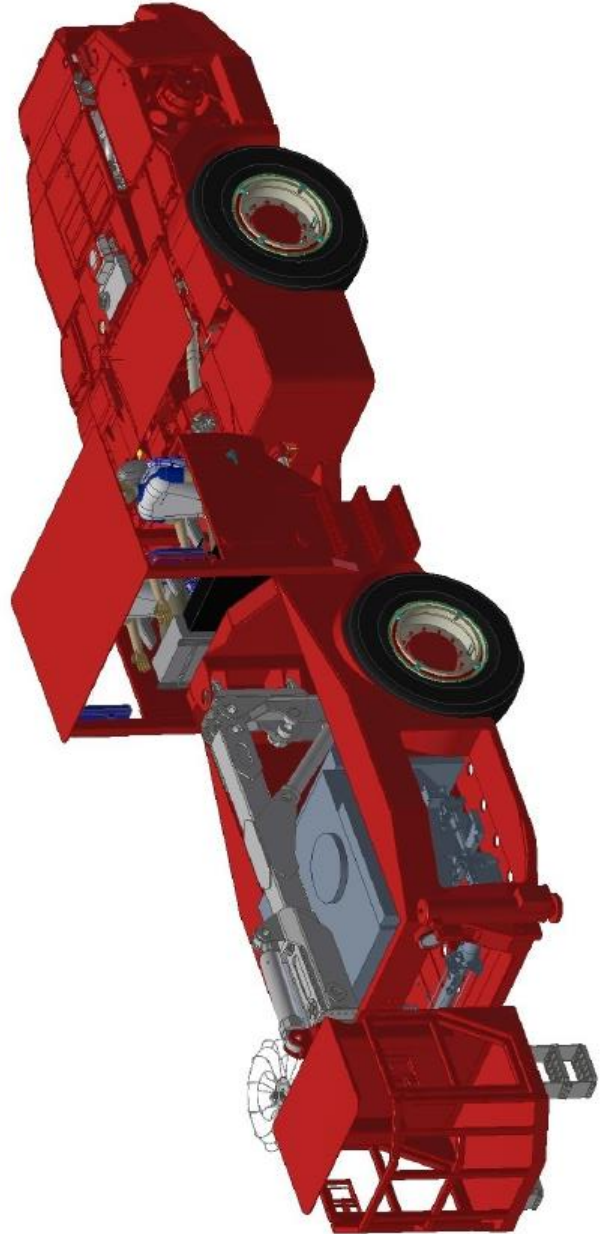
BOWAS-TEC GmbH
Patrick Gade
Sales Manager



Technical Annex to Offer 19011RU Rev_0



СМЕСИТЕЛЬНО-ЗАРЯДНЯ МАШИНА
RTCh-24





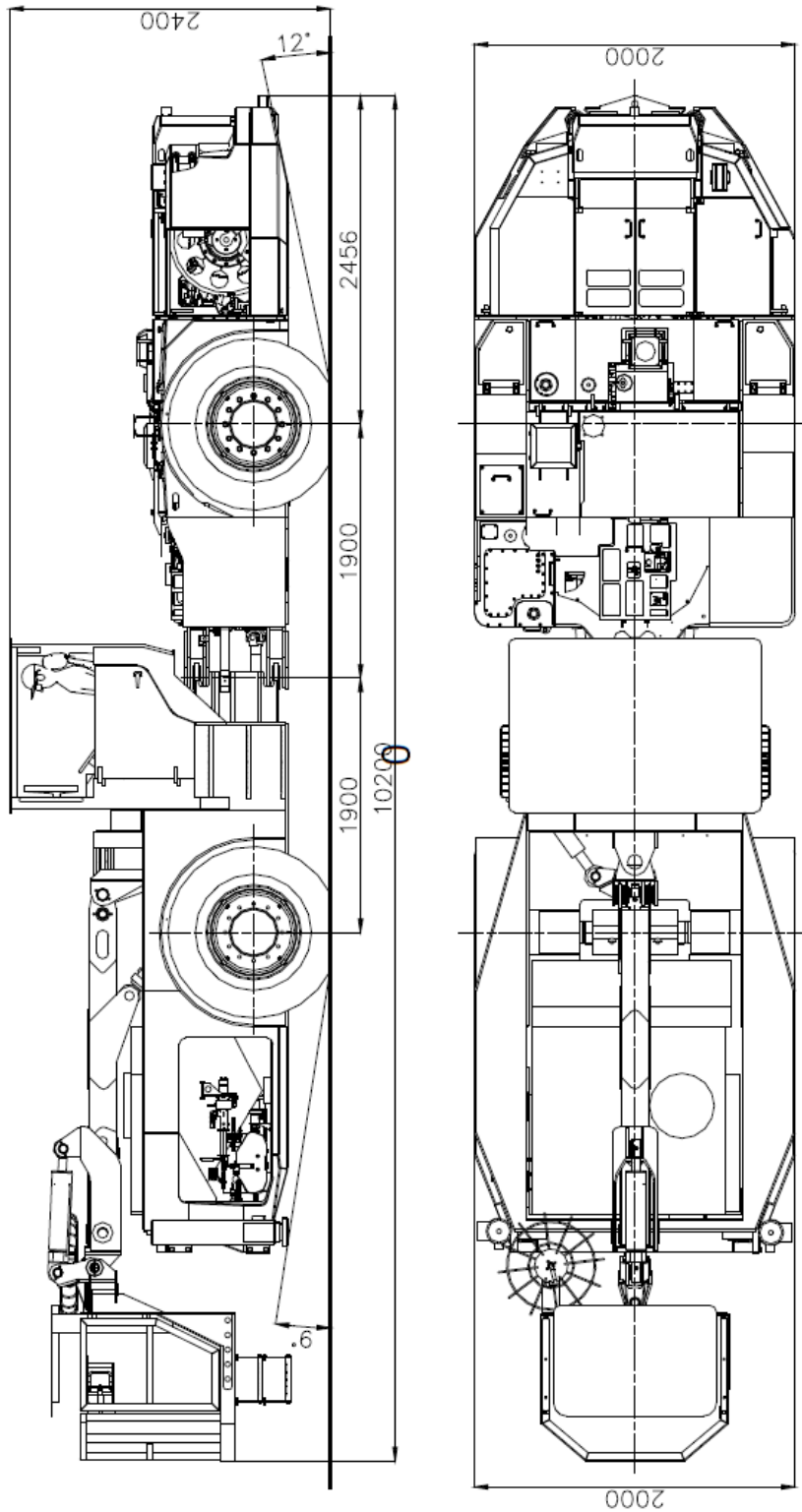
**СМЕСИТЕЛЬНО-ЗАРЯДНЯ МАШИНА
RTCh-24**

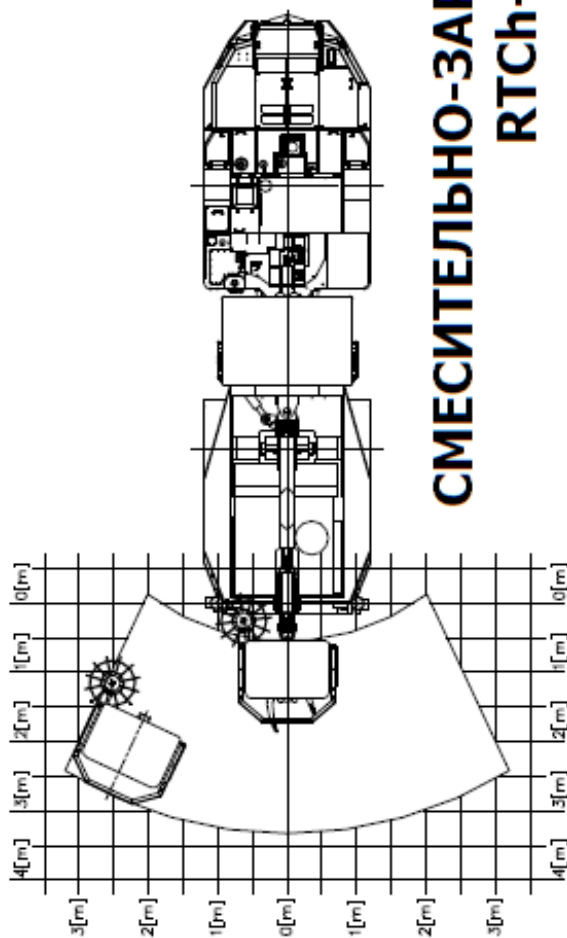
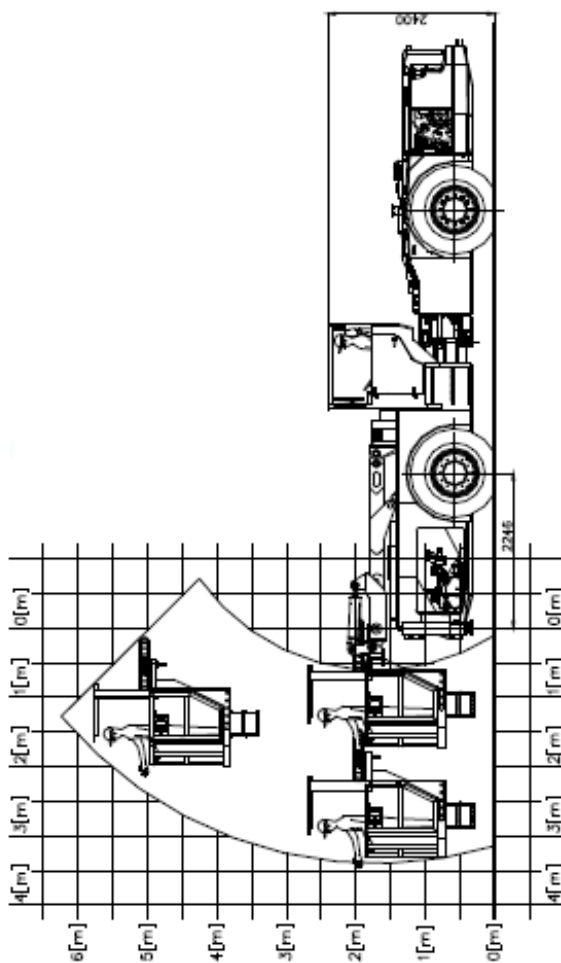




**СМЕСИТЕЛЬНО-ЗАРЯДНЯ МАШИНА
RTCh-24**

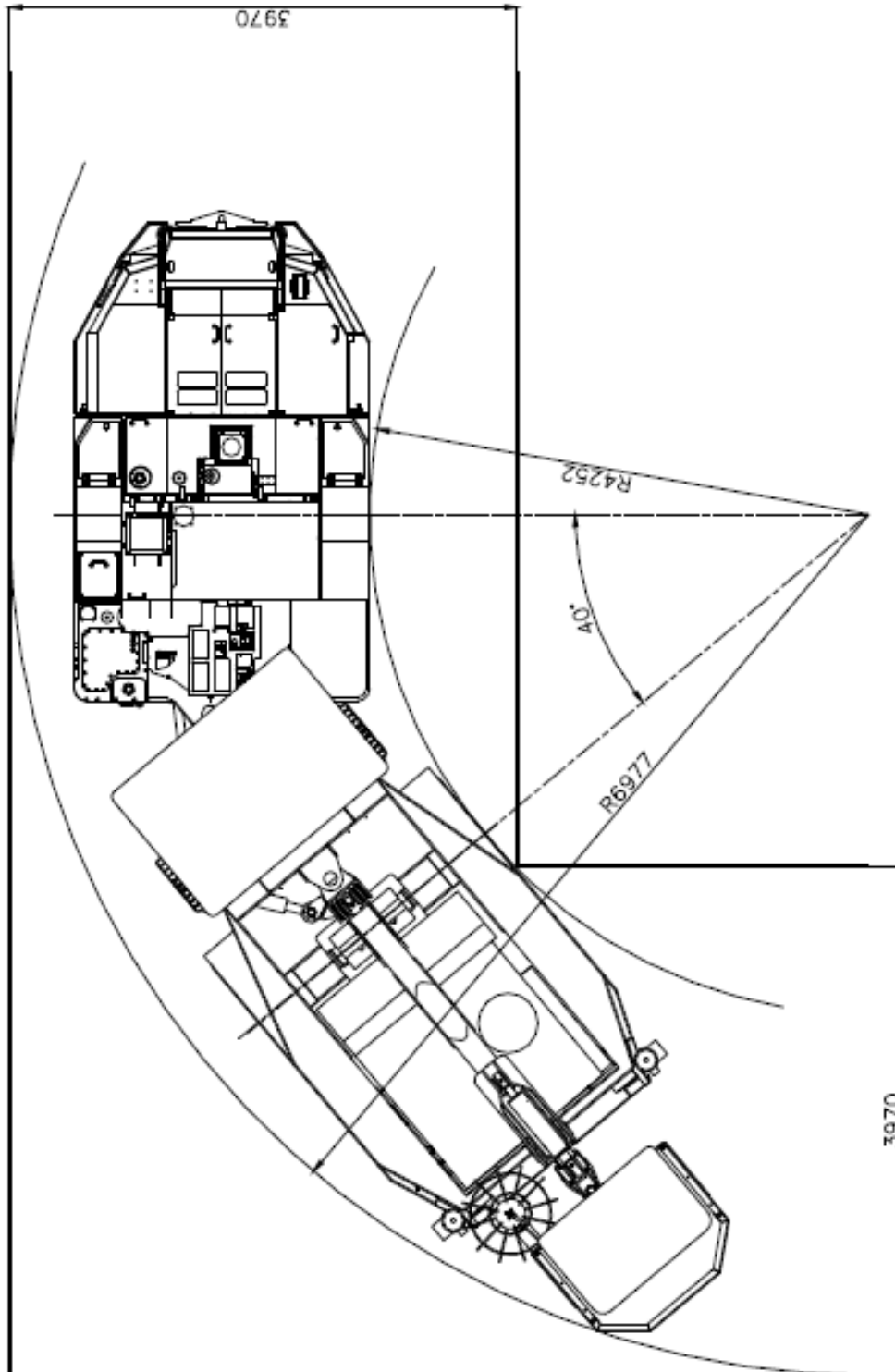






СМЕСИТЕЛЬНО-ЗАРЯДНЯ МАШИНА RTCh-24





**СМЕСИТЕЛЬНО-ЗАРЯДНЯ МАШИНА
RTCh-24**

